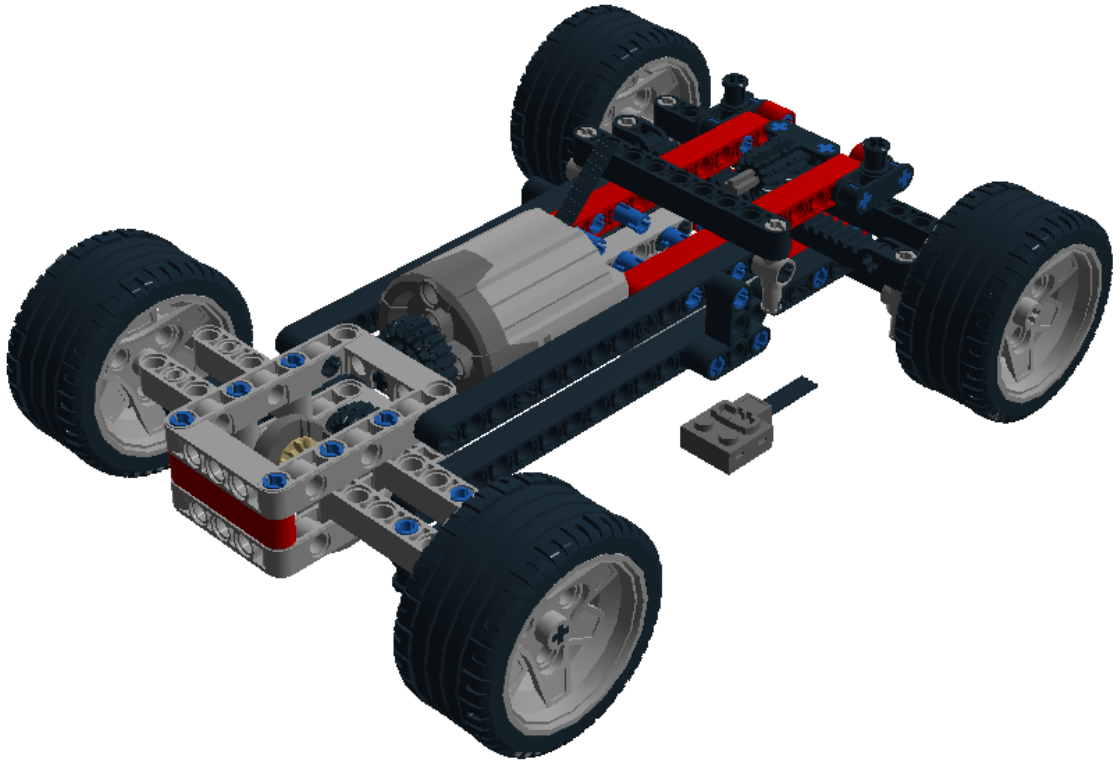




Model Name:
simple_chassis

Number of Bricks: 118



Step 1 of 39

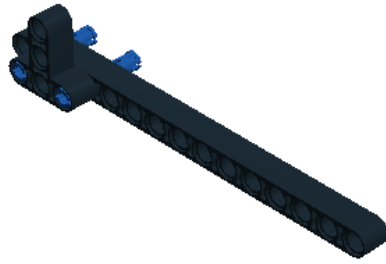
1 x



1 x



2 x

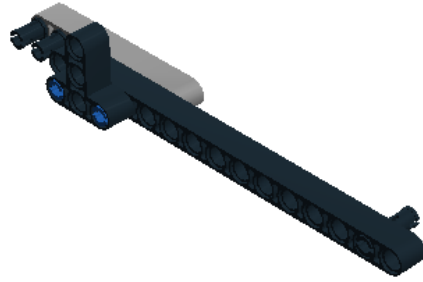


Step 2 of 39

1 x



3 x



Step 3 of 39

1 x



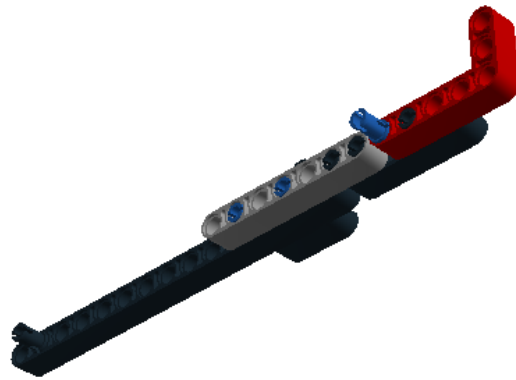
1 x

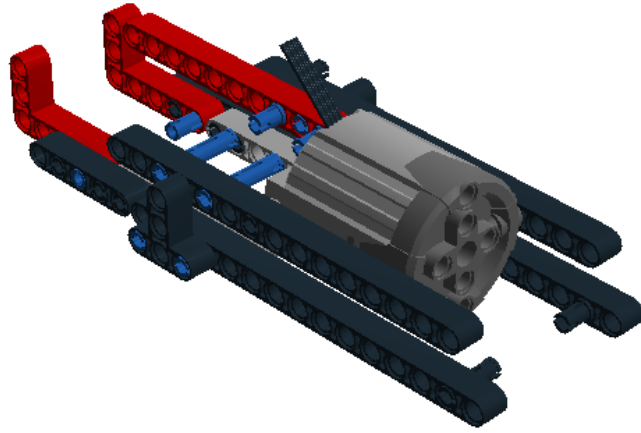


1 x



1 x





Step 5 of 39

1 x



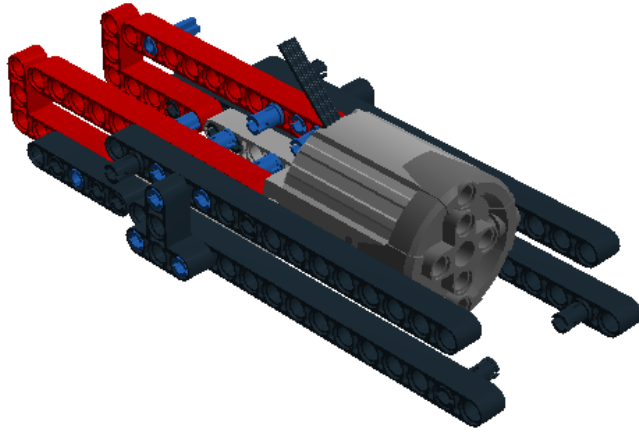
1 x



1 x



1 x

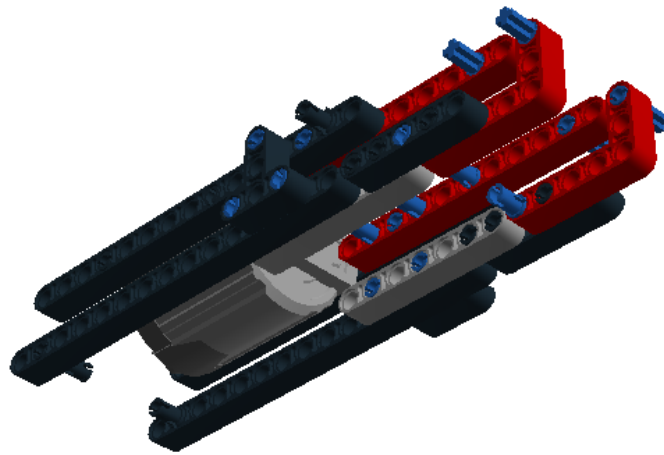


Step 6 of 39

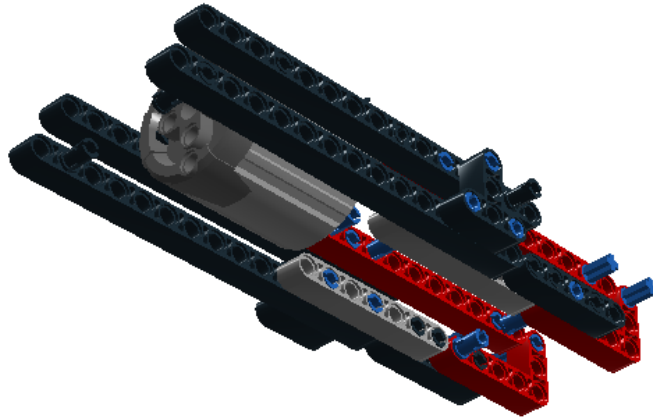
1 x



3 x

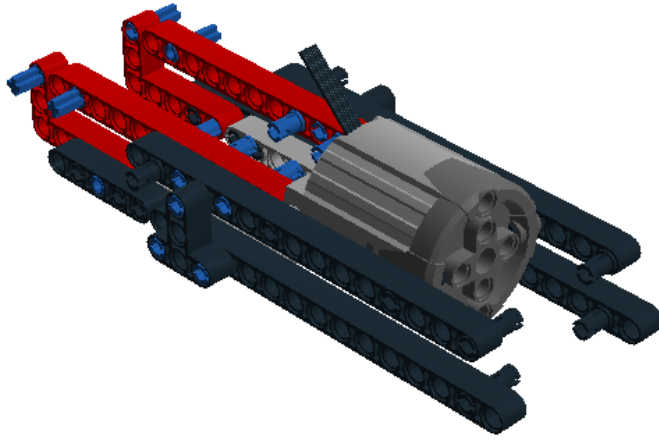


Step 7 of 39

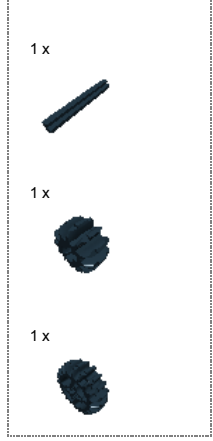


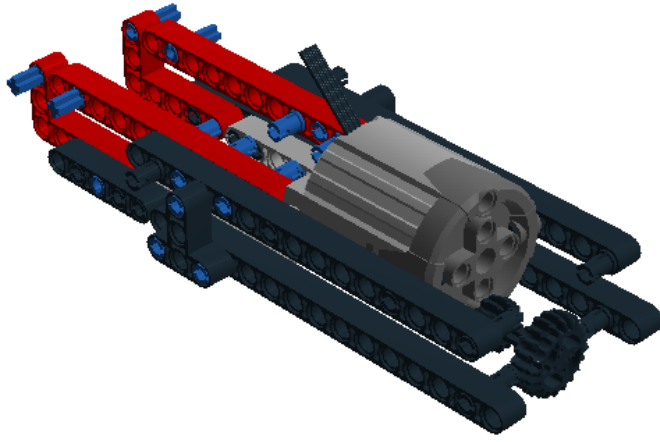
Step 8 of 39

2 x



Step 9 of 39





Step 11 of 39

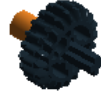
1 x

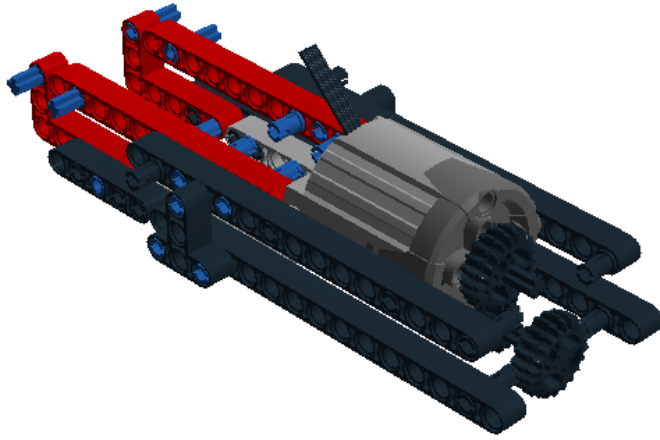


1 x



1 x





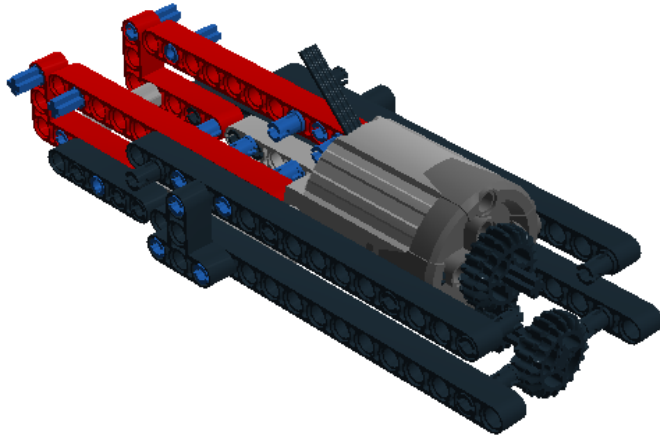
Step 13 of 39

2 x

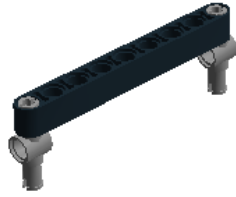
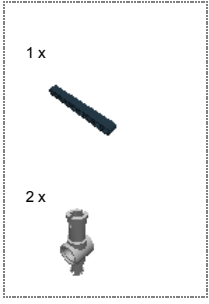


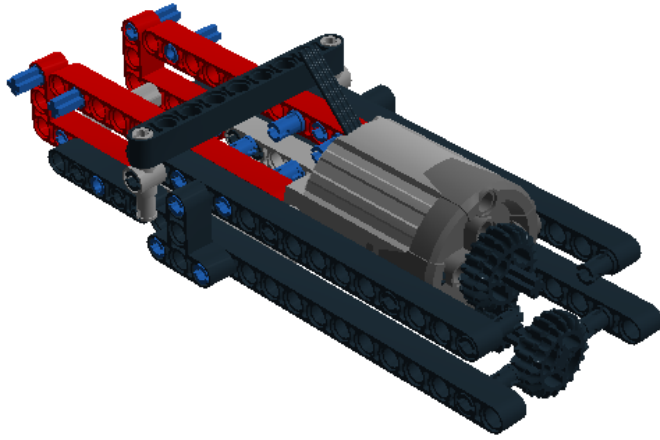
1 x





Step 15 of 39





Step 17 of 39

1 x



1 x

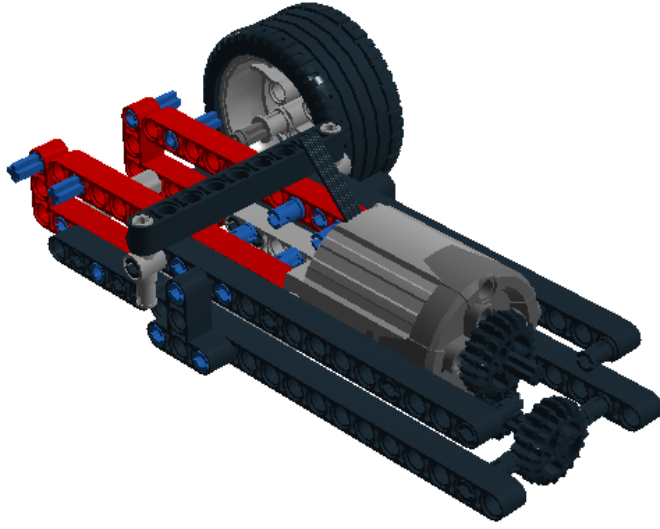


1 x



1 x





Step 19 of 39

1 x



1 x

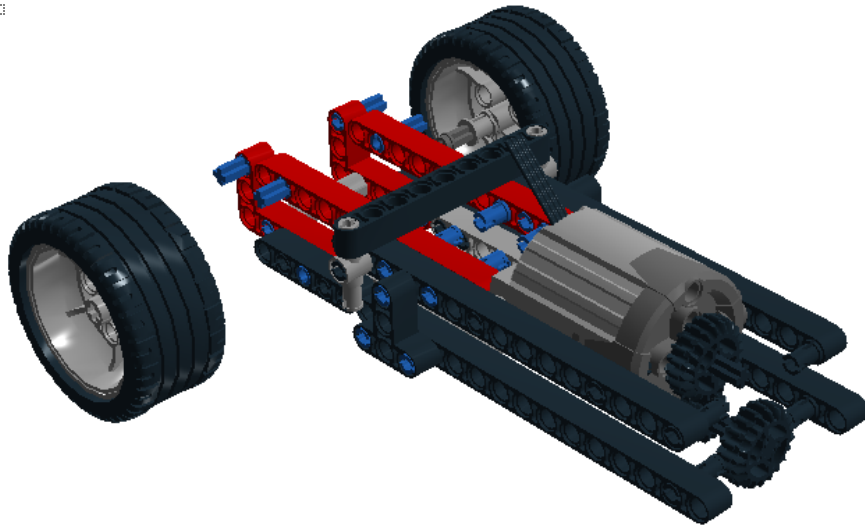


1 x

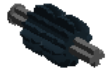
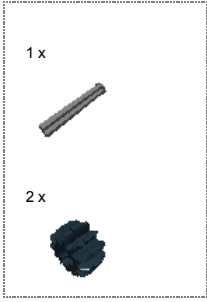


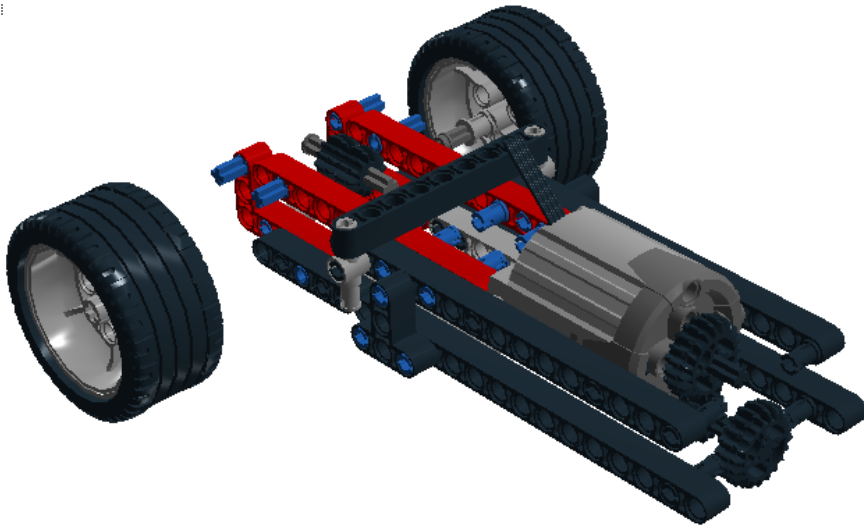
1 x



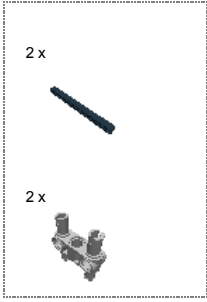


Step 21 of 39





Step 23 of 39



Step 24 of 39

1 x



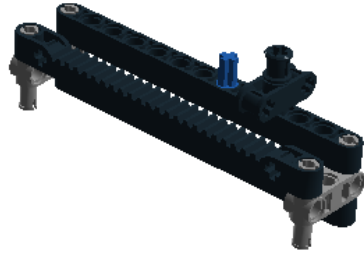
1 x



1 x



1 x



Step 25 of 39

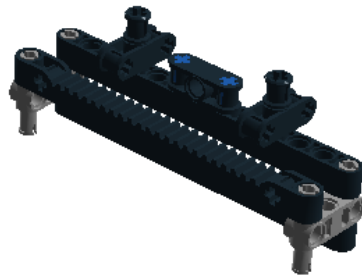
1 x

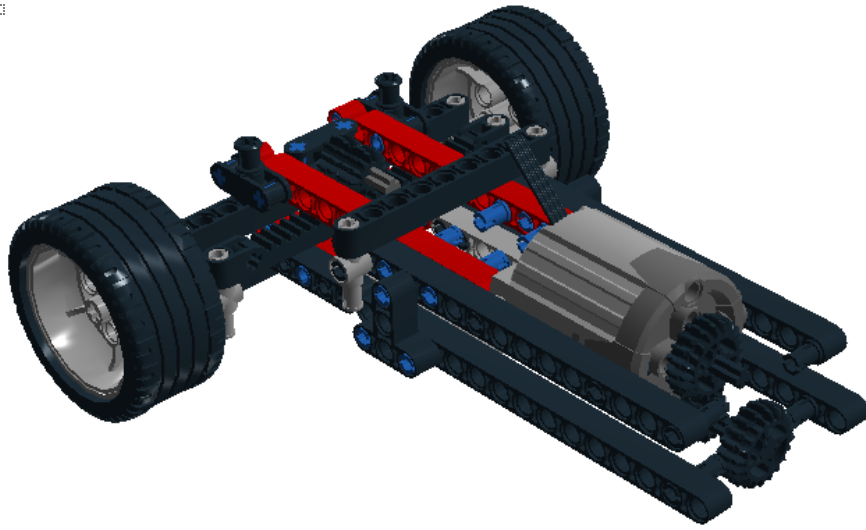


1 x



2 x





Step 27 of 39

1 x



1 x



1 x



Step 28 of 39

1 x



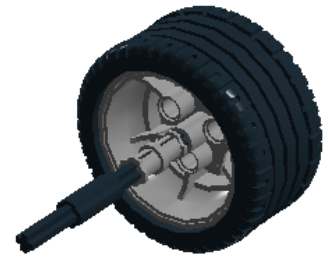
1 x



1 x



1 x

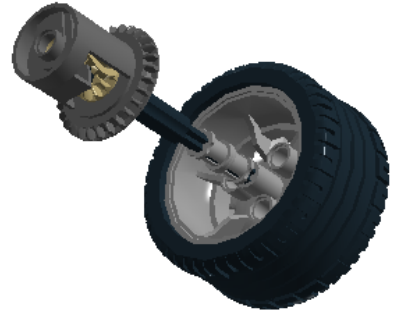


Step 29 of 39

3 x



1 x



Step 30 of 39

1 x



1 x



1 x



Step 31 of 39

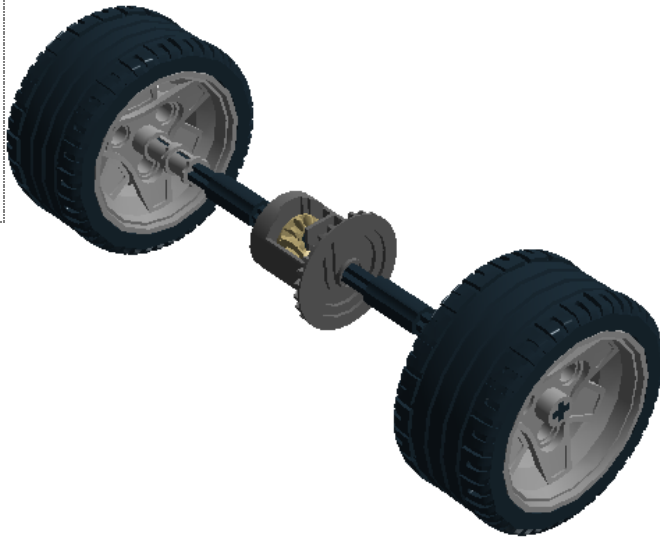
1 x

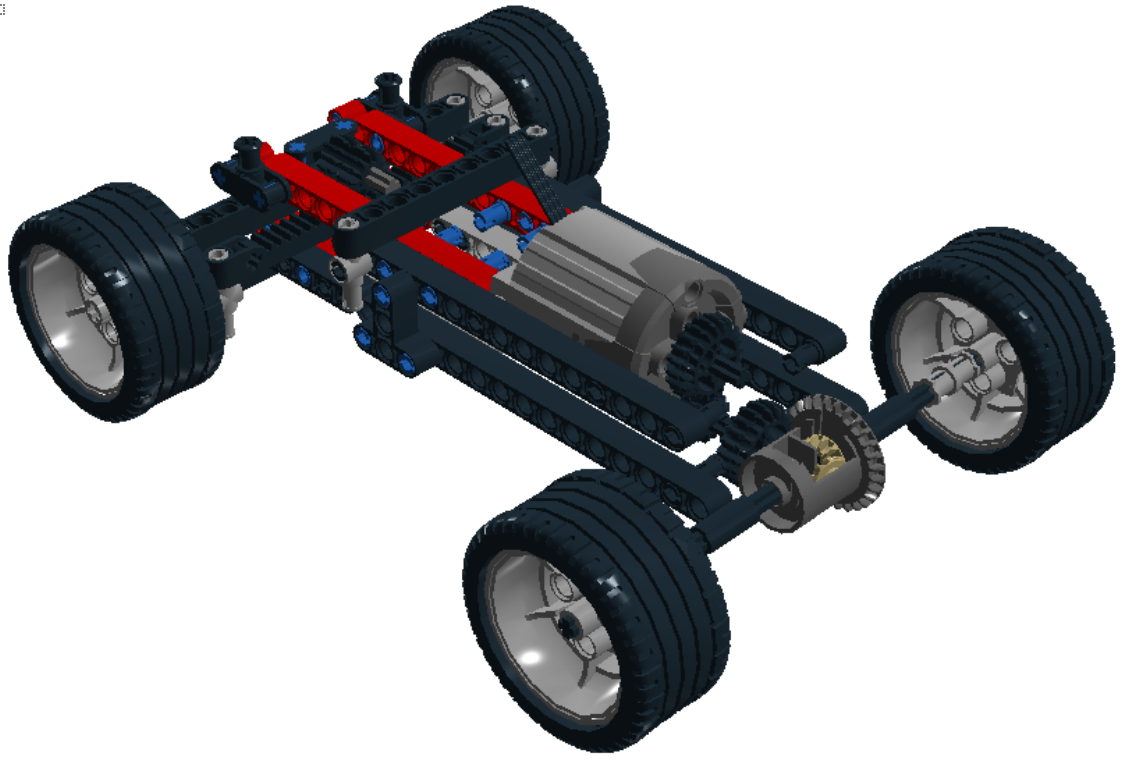


2 x



1 x





Step 33 of 39

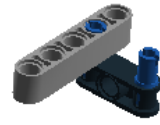
1 x



2 x



1 x



Step 34 of 39

1 x



3 x



Step 35 of 39

1 x



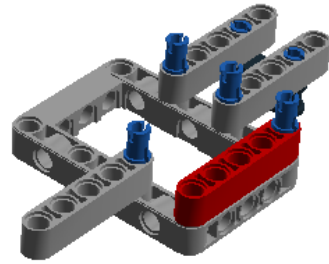
1 x



1 x



1 x



Step 36 of 39

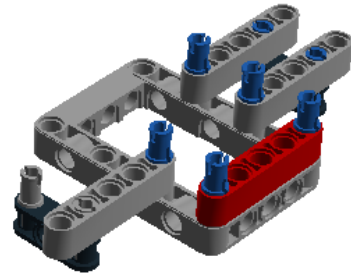
2 x



1 x



1 x



Step 37 of 39

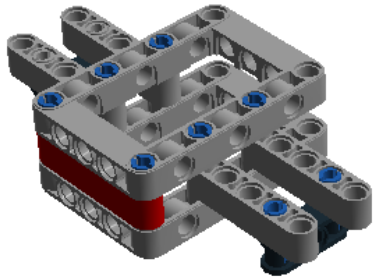
1 x

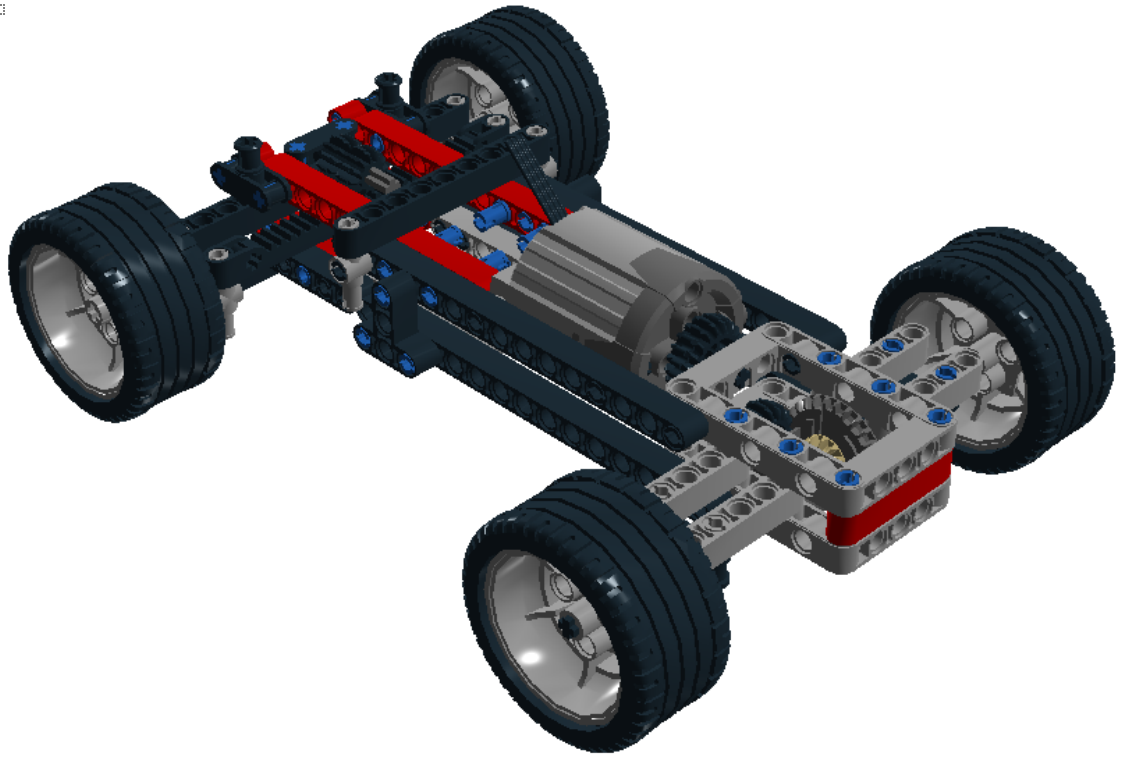


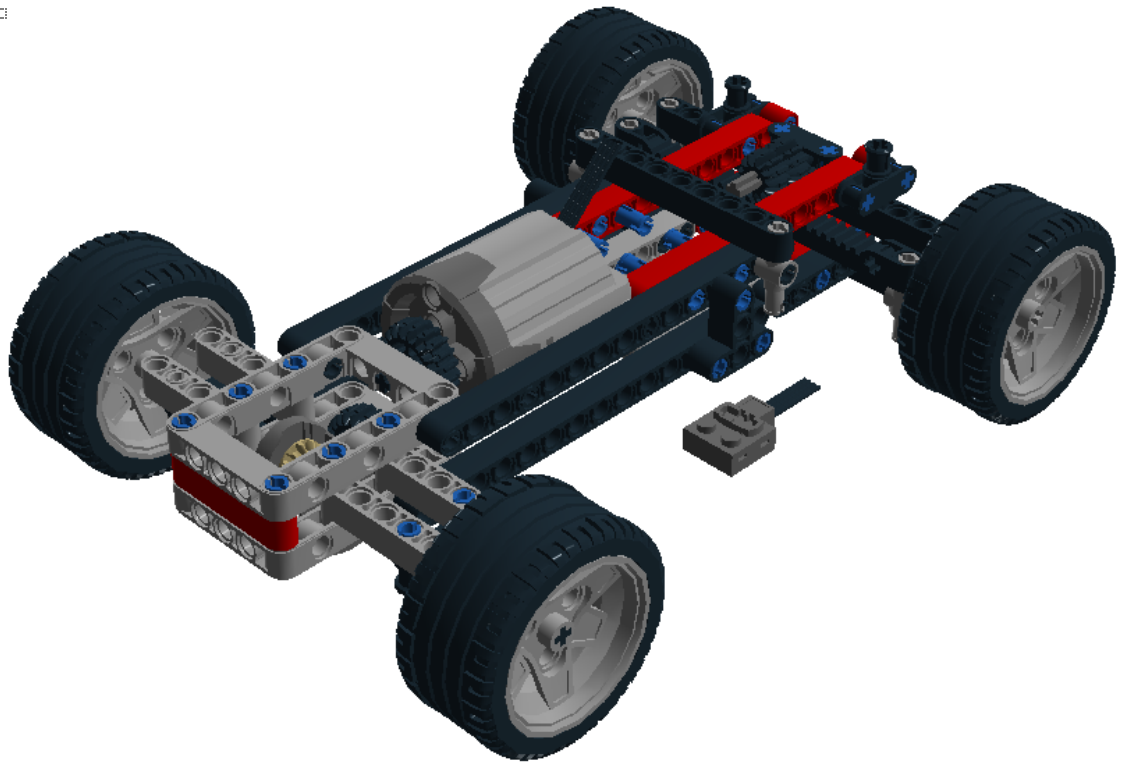
1 x





1 x










4 x  RIM 43,2 X 26 - Medium Stone Grey


4 x  TYRE LOW WIDE Ø56 X 28 - Black


1 x  FUNC. MOTOR Ø40X6M - Black, Bright Orange, Medium Stone Grey, Dark Stone Grey


1 x  TECHNIC 5M BEAM - Bright Red


1 x  TECHNIC 5M BEAM - Black

4 x  TECHNIC 5M BEAM - Medium Stone Grey

1 x  TECHNIC 7M BEAM - Medium Stone Grey

1 x  TECHNIC 9M BEAM - Black


1 x  T-BEAM 3X3 W/HOLE Ø4.8 - Black

1 x  TECHNIC 11M BEAM - Bright Red

2 x  TECHNIC 13M BEAM - Black


1 x  TECHNIC 15M BEAM - Black


1 x  TECHNIC ANG. BEAM 3X5 90 DEG. - Bright Red

9 x  CONNECTOR PEG W. FRICTION - Black

3 x  CROSS AXLE 3M - Black

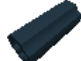
10 x  CONNECTOR PEG/CROSS AXLE - Bright Blue


2 x  CONNECTOR PEG/CROSS AXLE - Medium Stone Grey


6 x  BUSH FOR CROSS AXLE - Medium Stone Grey


1 x  CROSS AXLE 4M - Black


10 x  CONNECTOR PEG W. FRICTION 3M - Bright Blue


2 x  CROSS AXLE, EXTENSION, 2M - Black


2 x  CROSSAXLE 3M WITH KNOB - Dark Stone Grey


2 x  CROSS AXLE 6M - Black


1 x  CROSS AXLE 4M WITH END STOP - Dark Stone Grey

2 x  2M FRIC. SNAP W/CROSS HOLE - Black


5 x  DOUBLE CROSS BLOCK - Black


1 x  ANGLE ELEMENT, 180 DEGREES [2] - Medium Stone Grey


2 x  DOUBLE BUSH 3M Ø4.9 - Medium Stone Grey

2 x  BEAM 3 M, W/4 SNAPS - Medium Stone Grey


2 x  BEAM FRAME 5X7 Ø 4.85 - Medium Stone Grey

3 x  CONICAL WHEEL Z12 - Brick Yellow

3 x  DOUBLE CONICAL WHEEL Z12 1M - Black

2 x  DOUBLE CONICAL WHEEL Z20 1M - Black

1 x  RACK 13 M - Black

1 x  DIFFERENTIALE 3M Z 28 - Dark Stone Grey

